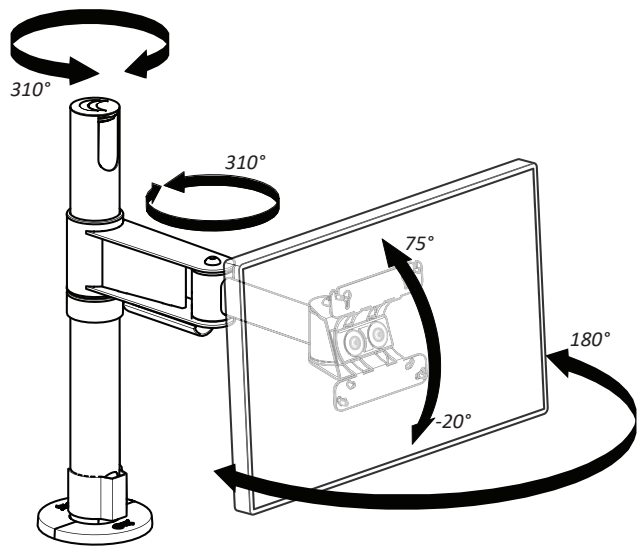
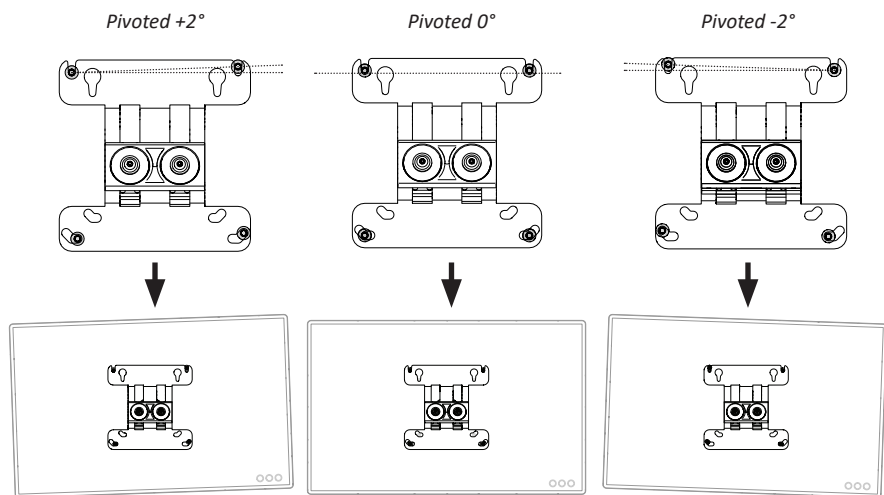


### Screen adjustments



 Cable is not illustrated to improve images' clarity.

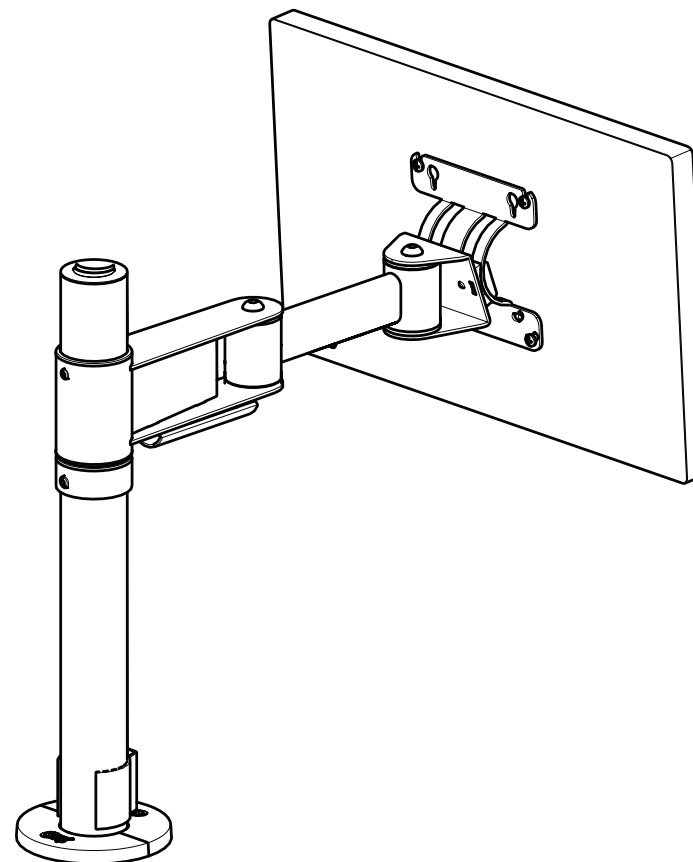
### VESA Pivot Adjustability



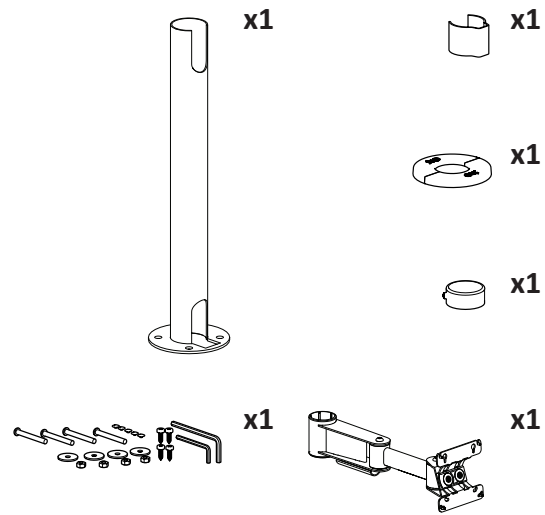
## Essentials Installation Guide

### SPV1306

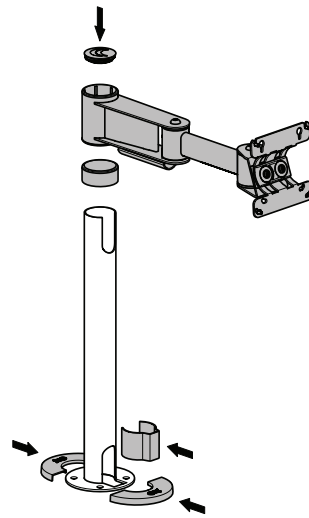
### SpacePole Arc® VESA 75/100 Elbow Arm Screen Mount



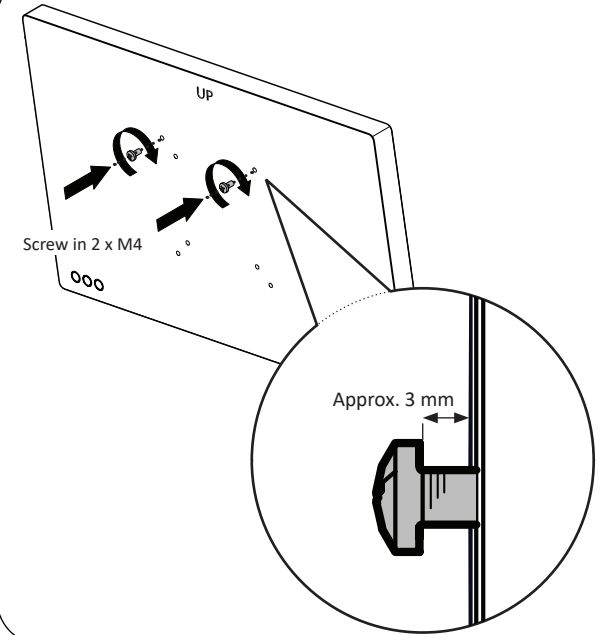
### Box Content



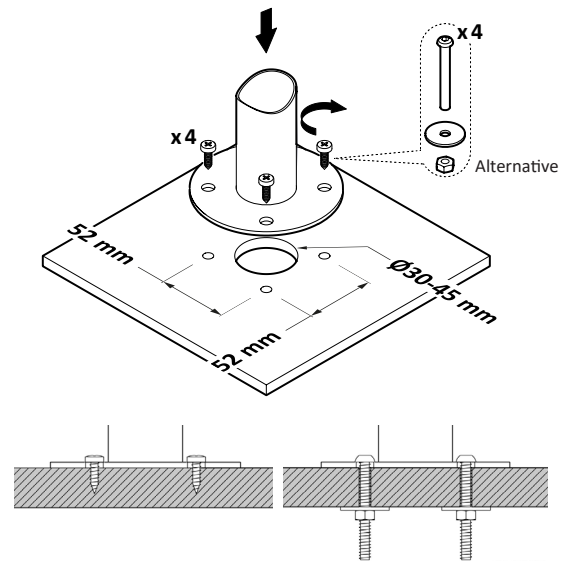
### 2 Install screen mount



### 3 Select screws and mount on screen

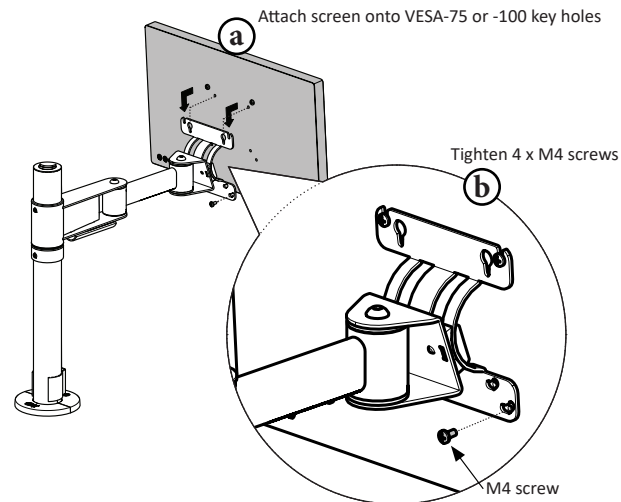


### 1 Pole counter mounting



⚠ For more mounting options see "SpacePole FixingsGuide"

### 4 Install screen on VESA mount



⚠ Screens can be pivoted  $\pm 2^\circ$  - see back page

### 5 Screen height adjustments

